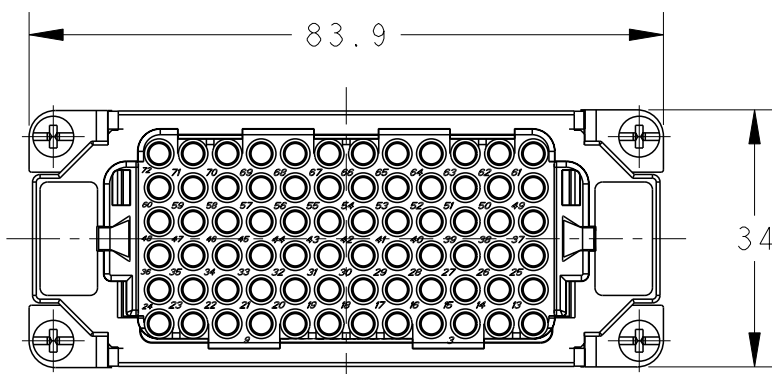
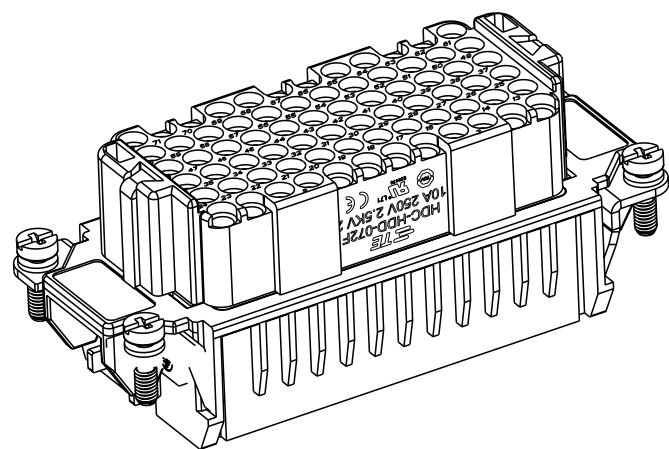


THIS DRAWING IS UNPUBLISHED. RELEASED FOR PUBLICATION 20

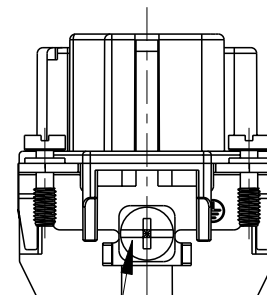
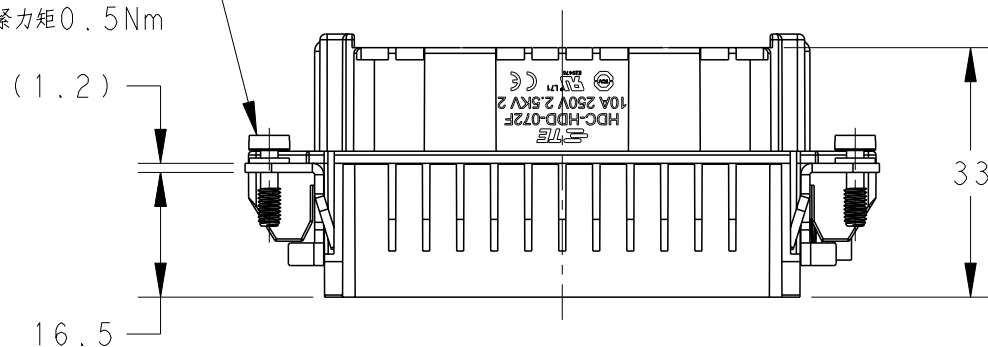
© COPYRIGHT 20 BY - ALL RIGHTS RESERVED.

REVISIONS

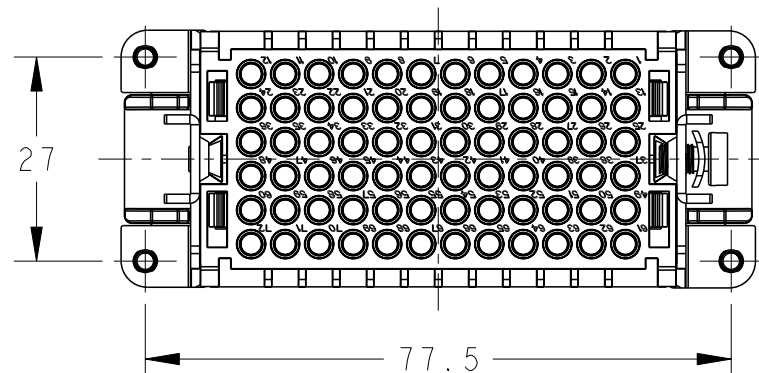
P	LTR	DESCRIPTION	DATE	DWN	APVD
A2		ECR-15-007632	25MAY2015	DW	CW
B		ECR-15-013292	24SEP2015	DL	CW
B1		ECR-16-015492	21NOV2016	QY	CW
C		ECR-21-105887	26JUL2021	BS	CW



4X M3 SCREW RECOMMENDED
TIGHTENING TORQUE 0.5Nm
4X M3螺丝, 推荐锁紧力矩0.5Nm



M4 SCREW
RECOMMENDED
TIGHTENING
TORQUE 1.2Nm
M4 螺丝, 推荐锁紧力矩1.2Nm



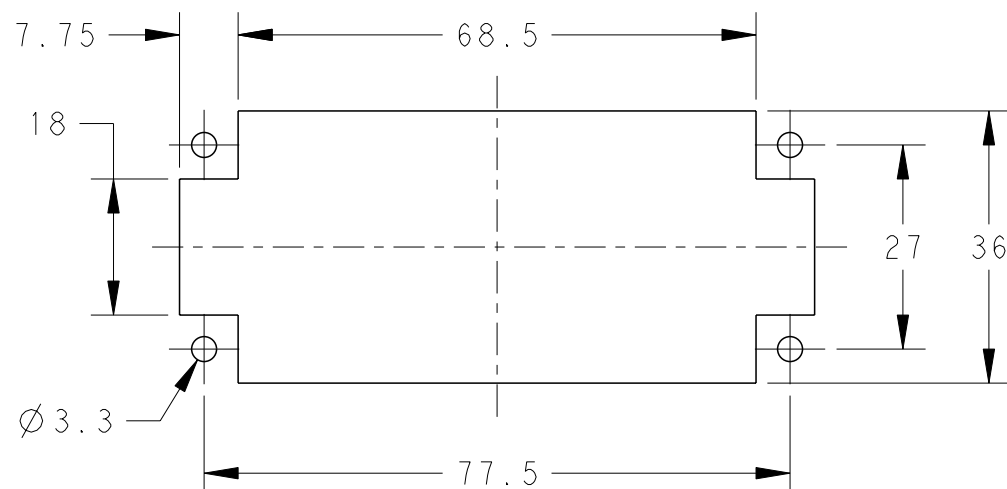
NOTES:

- TECHNICAL CHARACTERISTICS:
INSULATION MATERIAL: PC
RATED VOLTAGE: 250 V
RATED CURRENT: 10 A
INSULATION RESISTANCE: $\geq 400M\Omega$
RATED IMPULSE VOLTAGE: 2.5 KV
POLLUTION DEGREE: 2
FLAMMABILITY: UL94V-0
MATING CYCLES: 500 CYCLES
WIRE RANGE: 0.14-2.5 mm² (26-14 AWG)
CONTACT TYPE: CRIMP CONTACT
- CONTACT NEED TO BE ORDERED SEPARATELY.
(ORDER No. REFER TO DRAWING: T20200X20XX000)

注释:

- 技术参数:
绝缘材料: PC
额定电压: 250V
额定电流: 10A
绝缘电阻: $\geq 400M\Omega$
额定脉冲电压: 2.5 KV
污染等级: 2
阻燃等级: UL94V-0
插拔次数: 500次
接线范围: 0.14-2.5 mm² (26-14 AWG)
接线类型: 冷压接
- 端子需要单独订购。
(订货号参考图面: T20200X20XX000)

TYPE-1, T2030722201-000, TE LOGO
类型-1, T2030722201-000, TE LOGO



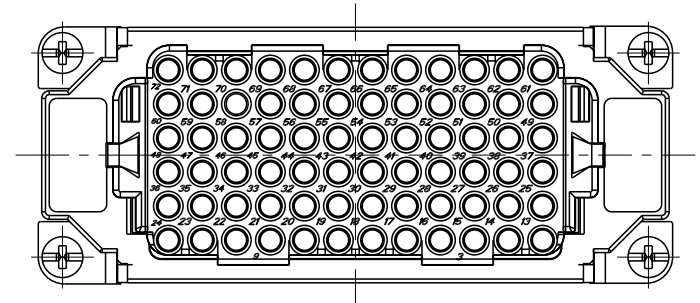
PANEL CUT OUT FOR INSERTS FOR USING
WITHOUT HODDS/HOUSINGS
不用防护外壳时芯件的安装开孔图

THIS DRAWING IS A CONTROLLED DOCUMENT.		DWN	29OCT2014	 TE Connectivity	
		David Wang			
		CHK	29OCT2014		
		Chris Wang			
		APVD	29OCT2014	NAME	
		Xiang Xu		HDD-072-F	
DIMENSIONS:		TOLERANCES UNLESS OTHERWISE SPECIFIED:		PRODUCT SPEC	
mm		0 PLC ±-		108-137043	
		1 PLC ±-		APPLICATION SPEC	
		2 PLC ±-		114-137043	
		3 PLC ±-		WEIGHT	
		4 PLC ±-		-	
		ANGLES ±-		SIZE	
MATERIAL		FINISH		CAGE CODE	
-		-		A300779	
-		-		DRAWING NO	
				T2030722201000	
				RESTRICTED TO	
				-	
		Customer Drawing		SCALE	
				1:1	
				SHEET	
				1 OF 2	
				REV	
				C	

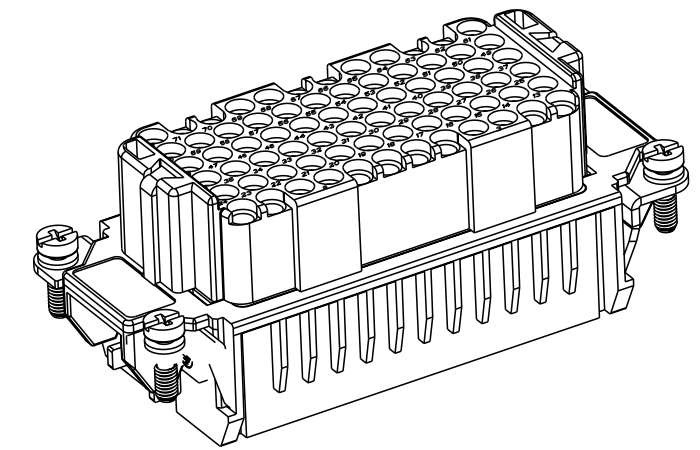
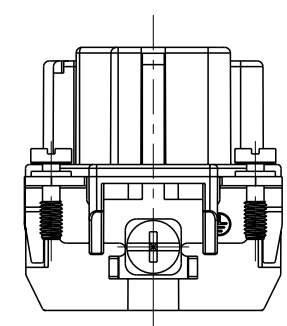
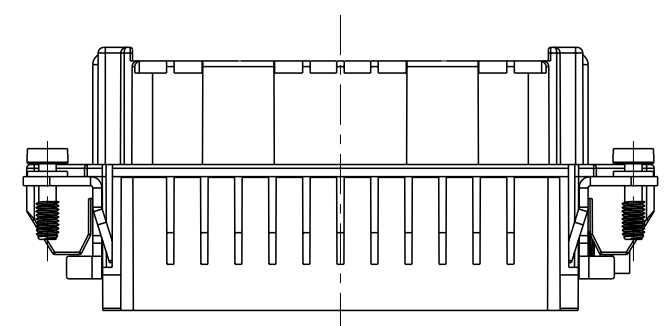
printed on 27 Jul 2021 16:23 (China Standard Time) from TE236667

THIS DRAWING IS UNPUBLISHED. RELEASED FOR PUBLICATION 20
 © COPYRIGHT 20 BY - ALL RIGHTS RESERVED.

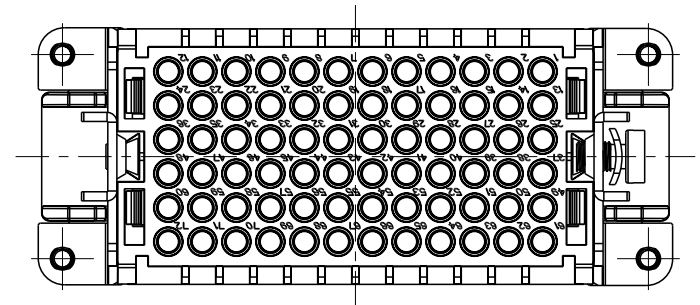
REVISIONS					
P	LTR	DESCRIPTION	DATE	DWN	APVD
-		SEE SHEET 1	-	-	-



NOTE:
SEE SHEET 1
注释:
见页 1



TYPE-2, T2030722201-001, STAINLESS STEEL SCREW, NO LOGO
 类型-2, T2030722201-001, 不锈钢螺丝, 无LOGO



T2030722201-001	HDD-072-F	HDD-072 FEMALE INSERT, CRIMPING SPLIT TYPE, STAINLESS STEEL SCREW, NO LOGO HDD-072 母插, 冷压针分体式, 不锈钢螺丝, 无LOGO	TYPE-2 类型-2
T2030722201-000	HDD-072-F	HDD-072 FEMALE INSERT, CRIMPING SPLIT TYPE HDD-072 母插, 冷压针分体式	TYPE-1 类型-1
PART NUMBER 料号		PART DESCRIPTION 描述	TYPE 类型

ALL DIMENSIONS ARE SAME AS TYPE 1, EXCEPT THOSE DEFINED IN THIS TYPE.
除了在本类型中定义的尺寸外, 其它尺寸同类型 1

THIS DRAWING IS A CONTROLLED DOCUMENT.		DWN 29OCT2014 David Wang		
DIMENSIONS: mm		CHK 29OCT2014 Chris Wang		
TOLERANCES UNLESS OTHERWISE SPECIFIED:		APVD 29OCT2014 Xiang Xu	NAME HDD-072-F	
0 PLC ±- 1 PLC ±- 2 PLC ±- 3 PLC ±- 4 PLC ±- ANGLES ±-		PRODUCT SPEC 108-137043	SIZE CAGE CODE DRAWING NO RESTRICTED TO	
MATERIAL		APPLICATION SPEC 114-137043	A300779 C-T2030722201000	
FINISH		WEIGHT	SCALE 1:1 SHEET 2 OF 2 REV C	
		Customer Drawing		

printed on 27 Jul 2021 16:23 (China Standard Time) from TE236667